

DOVETAIL

vinyl storage cabinet program





DOVETAIL

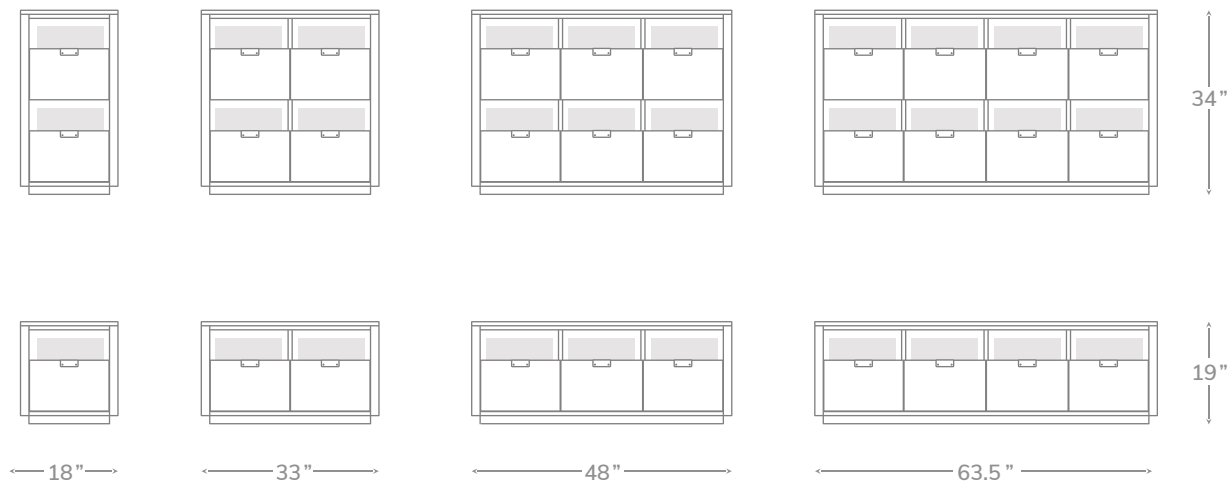
Vinyl Storage Cabinet

Dovetail Vinyl Storage Cabinets utilize a “file drawer” approach to store LPs and allow the user to easily flip through an entire record collection while enjoying a visual display of record cover art across the front of the cabinet. The design incorporates many of the same details found in our Dovetail Record Crates into a cabinet that can be customized across four standard widths and three standard heights, with the largest configuration holding up to 1000 LPs. Each drawer is constructed with SYMBOL's exposed English dovetail joinery, vegetable tanned leather handles with solid brass hardware, and utilizes heavy-duty full extension soft-close under-mount drawer slides. Our modular approach makes it easy to configure a cabinet based on your specific requirements. All of our cabinets are produced in the United States using sustainably harvested solid hardwoods for both strength and beauty.

Dovetail Vinyl Storage Cabinet



- Four standard widths, three standard heights
- Store up to 90 LPs per drawer
- Solid wood construction
- Dovetail drawer boxes with heavy duty full-extension soft-close undermount drawer slides
- Vegetable tanned leather handles with solid brass hardware
- Adjustable levelers for uneven floors
- Available in 2 woods and multiple finishes
- White Glove Delivery



full-extension soft-close
undermount drawer slides

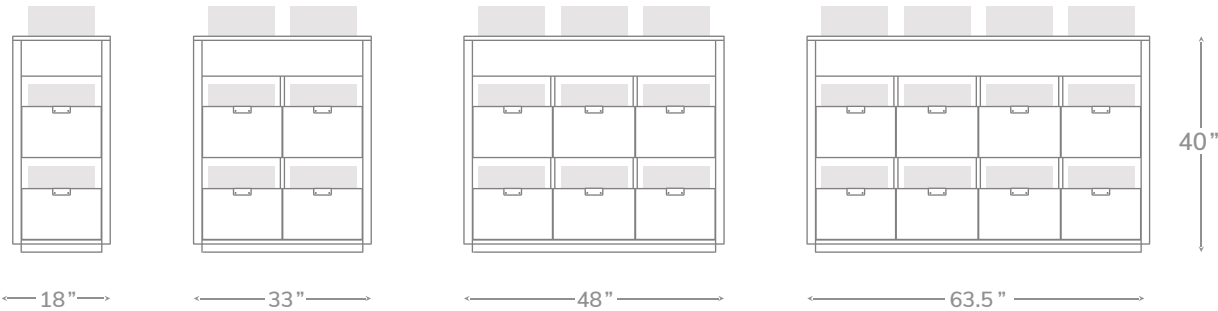




Dovetail Vinyl Storage Cabinet with Flip Top Bins



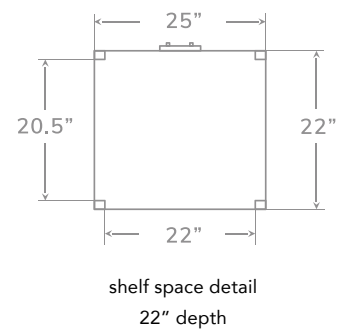
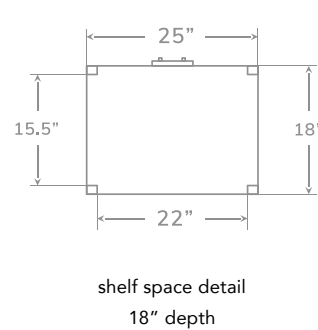
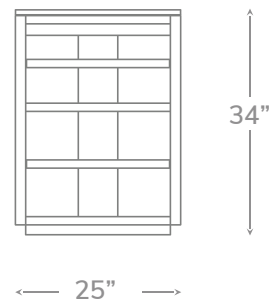
- Four standard widths, three standard heights
- Store up to 90 LPs per drawer or bin
- Solid wood construction
- Dovetail drawer boxes with full-extension soft-close undermount drawer slides
- Vegetable tanned leather handles with solid brass hardware
- Adjustable levelers for uneven floors
- Available in 2 woods and multiple finishes
- White Glove Delivery



Dovetail Audio Rack



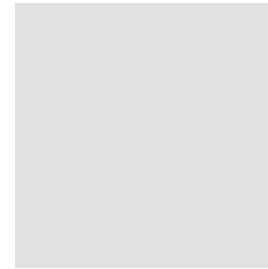
- Vibration isolated turntable platform
- Integrated cable management with separate ties for audio and power cables
- Open design allows for airflow and component cooling
- Solid wood construction
- 2 adjustable shelves and 1 fixed shelf
- 5mm stainless steel vibration damped shelf pins
- Each shelf supports up to 120 lbs
- Adjustable levelers for uneven floors
- Available in 2 woods and multiple finishes
- White Glove Delivery





Finishes

Lacquer Colors



Glacier White

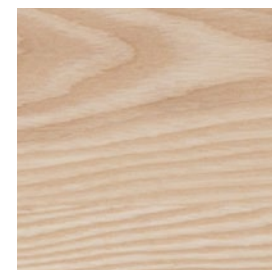


Slate Grey

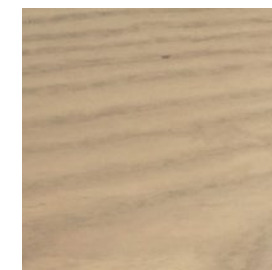


Jet Black

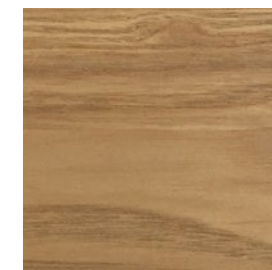
Ash Stains



Natural Ash



Soaped Ash

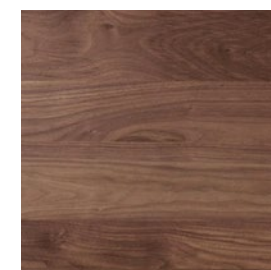


Toffee



Stout

Premium Woods



Natural Walnut

