

# Joy Side Chair

Matriarch Collection



## PRODUCT INFO

**Description** Joy Side Chairs are our updated take on the classic school-house chair. Stackable, with a modern silhouette, rigorously tested construction and an understated, natural material palette, Joy is versatile enough to be added to any residential or commercial space.

**Dimensions** Overall: H31.5" W18.5" D19.5"  
Seat: 18" W18" D16"

**Assembly** Easy assembly with included hardware and tools.

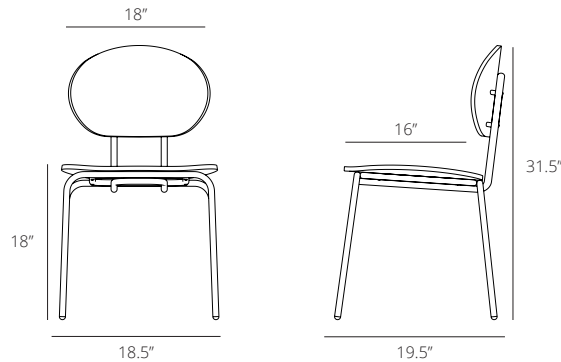
**Finishes** Ink Leatherette with Walnut veneered plywood, Black Ash veneered plywood, and Natural Ash veneered plywood with White or Matte Black powder-coated steel bases. Custom finishes available. Contact us!

**Construction** Contract quality and tested to BIFMA standards. Welded tube steel frame with a bent plywood seat and back. Leatherette upholstery for high traffic use.

**Care** Vacuum regularly with a soft brush attachment. Immediately blot spills with a clean white cloth, moving toward the center of the spill. Do not rub. Cleaning code: S (for leatherette).

**Lead time** In-stock ships in 2 business days. Custom requests and backorders ship in 12-16 weeks.

**Warranty** 3 years  
For detailed information, visit [rypen.com](http://rypen.com).



### SEAT AND BACK

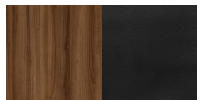


NATURAL ASH



BLACK ASH

### SEAT AND BACK



WALNUT /  
INK LEATHERETTE

### FRAME



WHITE



MATTE BLACK