

# Joy Counter Chair

Joy Collection



## PRODUCT INFO

### Description

Joy Counter Chairs are our updated take on the classic school-house chair. With a modern silhouette, rigorously tested construction and an understated, natural material palette, Joy is versatile enough to be added to any residential or commercial space.

### Dimensions

Overall: H39" W19" D21.75"  
Seat: H25" W18" D16"

### Assembly

Easy assembly with included hardware and tools.

### Finishes

Ink Leatherette with Walnut veneered plywood, Black Ash veneered plywood, and Natural Ash veneered plywood with White or Matte Black powder-coated steel bases. Custom finishes available. Contact us!

### Construction

Contract quality and tested to BIFMA standards. Welded tube steel frame with a bent plywood seat and back. Leatherette upholstery for high traffic use.

### Care

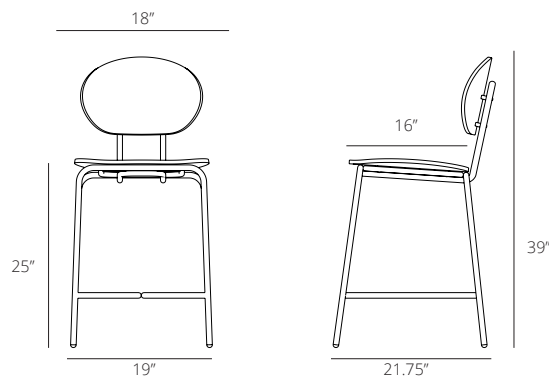
Vacuum regularly with a soft brush attachment. Immediately blot spills with a clean white cloth, moving toward the center of the spill. Do not rub. Cleaning code: S (for leatherette).

### Lead time

In-stock ships in 2 business days. Custom requests and backorders ship in 12-16 weeks.

### Warranty

3 years  
For detailed information, visit [rypen.com](http://rypen.com).



### SEAT AND BACK

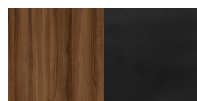


NATURAL ASH



BLACK ASH

### SEAT AND BACK



WALNUT /  
INK LEATHERETTE

### FRAME



WHITE



MATTE BLACK