

Joy Bar Chair

Joy Collection



PRODUCT INFO

Description

Joy Bar Chairs are our updated take on the classic school-house chair. With a modern silhouette, rigorously tested construction and an understated, natural material palette, Joy is versatile enough to be added to any residential or commercial space.

Dimensions

Overall: H43" W19.5" D22.5"
Seat: H29.25" W18" D16"

Assembly

Easy assembly with included hardware and tools.

Finishes

Ink Leatherette with Walnut veneered plywood, Black Ash veneered plywood, and Natural Ash veneered plywood with White or Matte Black powder-coated steel bases. Custom finishes available. Contact us!

Construction

Contract quality and tested to BIFMA standards. Welded tube steel frame with a bent plywood seat and back. Leatherette upholstery for high traffic use.

Care

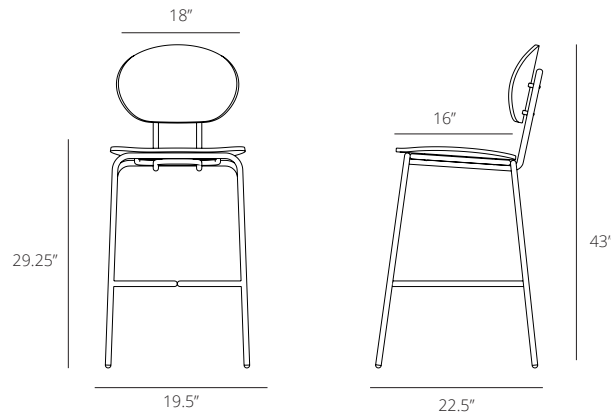
Vacuum regularly with a soft brush attachment. Immediately blot spills with a clean white cloth, moving toward the center of the spill. Do not rub. Cleaning code: S (for leatherette).

Lead time

In-stock ships in 2 business days. Custom requests and backorders ship in 12-16 weeks.

Warranty

3 years
For detailed information, visit rypen.com.



SEAT AND BACK

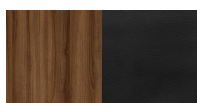


NATURAL ASH



BLACK ASH

SEAT AND BACK



WALNUT /
INK LEATHERETTE

FRAME



WHITE



MATTE BLACK