

Joan Lounge Chair

Matriarch Collection



PRODUCT INFO

Description

The Joan Lounge Chair is an occasional chair designed for quick meetings, extra dinner guests or on-the-move lounge sessions. Joan has a graceful silhouette, a sound foundation and is hyper-functional, while maintaining a small footprint.

Construction

Contract quality inside and out. Solid pine and plywood frame wrapped in aniline-dyed leather or commercial grade upholstery fabrics with a hardwood base

Dimensions

Overall: H32" W25" D28"
Seat: H16" W25" D20"

Care

Vacuum regularly with a soft brush attachment. Immediately blot spills with a clean white cloth, moving toward the center of the spill. Do not rub. Cleaning code: S

Assembly

Fully Assembled

Lead time

In-stock ships in 2 business days.
Custom requests and backorders ship in 12-16 weeks.

Finishes

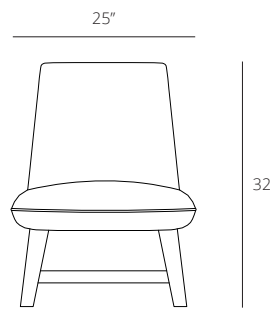
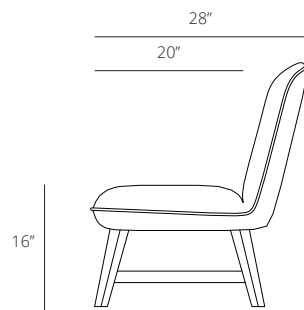
Cinder or Chestnut Brown Leather with a Natural Oak base. Custom finishes available - contact us!

Warranty

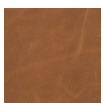
3 years
For detailed information, visit rypen.com.

Certifications

FIRE TEST | TSCA Title VI Compliant | California 93120 Compliant for Formaldehyde Phase II
Chestnut Brown Leather: Martindale >40k | Cinder: Martindale: >51k



ANILINE-DYED LEATHER



CHESTNUT BROWN

UPHOLSTERY



CINDER

SOLID WOOD BASE



NATURAL OAK