

Harriet Dining Chair

Matriarch Collection



PRODUCT INFO

Description

The Harriet Dining Chair gives a nod to traditional Scandinavian design with its solid wood construction and bent ply seatback. Harriet is a roomy, sturdy, stay-forever seat that takes a no-elbows approach to dining with the high armrests.

Construction

Contract quality inside and out - Solid hardwood base with a bent plywood seat and back. Upholstered with Aniline dyed leather.

Dimensions

Overall: H:31" W:23" D:23.5"
Seat Dimensions: H:18" W:21" D:18.5"
Arm: H: 28"

Care

Vacuum regularly with a soft brush attachment. Immediately blot spills with a clean white cloth, moving toward the center of the spill. Do not rub. Cleaning code: S

Assembly

Fully Assembled

Lead time

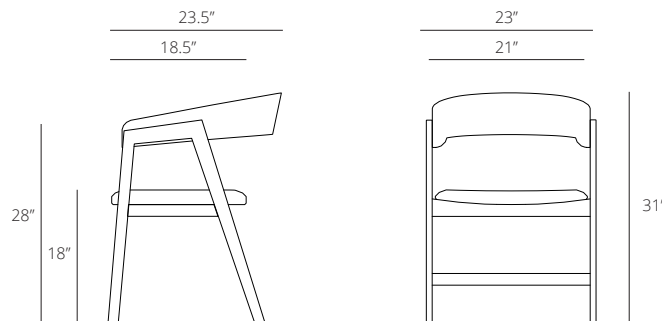
In stock ships in 2 business days Custom requests and backorders ship in 12 - 16 weeks

Finishes

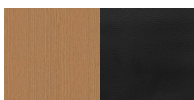
Onyx Black Leather with a Black Oak, Natural Oak, or Solid Oak base.
Custom finishes available. Contact us!

Warranty

3 years

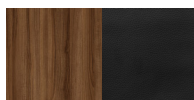


FINISH



NATURAL OAK /
ONYX LEATHER

FINISH



WALNUT /
ONYX LEATHER

FINISH



BLACK OAK /
ONYX LEATHER