

Flip Stack Chair

Foundation Collection



Stack up to 6 high



Nest as many as you need

PRODUCT INFO

Description Flipstack chair, comfortable and light-weight. Flexible and mobile on silent casters. Easily stores as the Flipstack chair both nests and stacks to maximize your storage space.

Dimensions Overall: H35.6" W26.5" D21.85"
Seat: H18.7" D16.33"

Assembly Easy assembly with included instructions and tool

Finishes Mid Grey Faux Leather seat, Mid Grey Mesh back, Silver Powdercoat Steel base
Custom finishes available - contact us!

Construction Contract quality inside and out. BIFMA Certified. Sturdy, injection moulded plastic arms, back and seat with high-tech mesh and durable faux leather sit on top of a powder-coated steel base. Polyurethane casters provide quiet, smooth mobility.

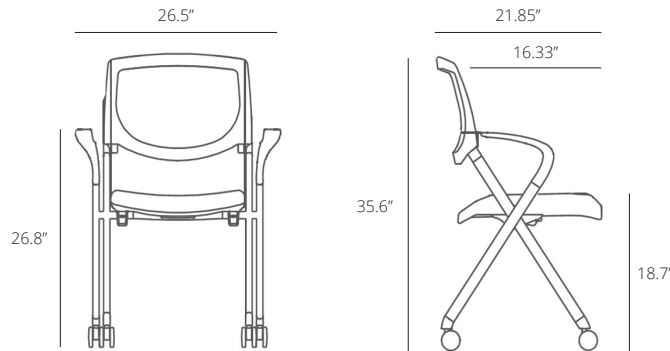
Care Vacuum regularly with a soft brush attachment. Immediately blot spills with a clean white cloth.

Lead Time In-stock ships in 2 business days.
Custom requests and backorders ship in 12-16 weeks.

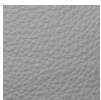
Warranty 10 years
For detailed information, visit rypen.com.

Certifications ANSI/BIFMA X5.1-2017 | TB117.2013
CAL 117 - 2013 | TSCA Title VI Compliant | California 93120 Compliant for Formaldehyde Phase II
Mid Grey Faux Leather: Martindale >100k | Mid Grey Mesh: Martindale: >100k

Additional Testing All Ryphen task chairs pass the BIFMA testing noted above before undergoing further, third-party tests for even more rigorous conditions including load testing up to 325lbs.

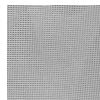


SEAT



MID GREY FAUX LEATHER

BACK



MID GREY MESH

BASE



SILVER POWDER COATED STEEL