

Camp Privacy Lounge Chair

Fort Collection



PRODUCT INFO

Description

With a tall, slim silhouette, the Camp Privacy Lounge offers audio and visual privacy while fostering conversation. The attached cushions keep everything tidy and give Camp maximum functionality in commercial lounge spaces.

Construction

Contract quality inside and out - Solid pine and plywood frame wrapped in commercial grade upholstery fabrics with powder coated steel legs. All cushions are attached for a tidy and secure public seating solution.

Dimensions

Overall: H:50" W:36" D:36"
Seat Dimensions: H:16" W:32" D:21"

Care

Vacuum regularly with a soft brush attachment. Immediately blot spills with a clean white cloth, moving toward the center of the spill. Do not rub. Keep out of direct sunlight to avoid discoloration. Cleaning code: S

Assembly

Easy assembly with included instructions and tool

Lead Time

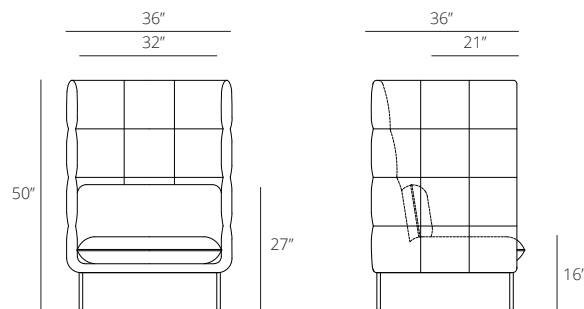
In stock ships in 2 business days Custom requests and backorders ship in 12 - 16 weeks

Finishes

Choose between Coal, Fog and Marina upholsteries with Matte Black Steel legs. Custom finishes available - contact us!

Warranty

3 years*



UPHOLSTERY



COAL



FOG

UPHOLSTERY



MARINA

POWDER COATED LEGS



MATTE BLACK