

Blockhouse Modular Sectional - 6 Seat U-Shaped Sofa

Fort Collection



PRODUCT INFO

Description

The Blockhouse Modular Sectional system is made up of five components that can be combined into any configuration to fit your needs. No tools are required to attach the modules together on ANY of their sides, allowing for literally infinite assemblies. Each module is shipped with an oak and steel "Linkage" that locks the solid oak bases together for a tidy look and feel. Get creative with our favorite new building blocks in the collection: Blockhouse Modular Sectional!

Construction

Contract quality inside and out. Solid pine and plywood frame wrapped in high density upholstery foam and commercial grade upholstery fabrics. Solid oak base with oak and steel sectional linking system.

Dimensions

Overall: L134" W67" H29.5"
Seat: D23.5" H17.5"

Care

Vacuum regularly with a soft brush attachment. Immediately blot spills with a clean white cloth, moving toward the center of the spill. Do not rub. Cleaning code: S

Assembly

No assembly required.

Lead Time

In stock ships in 2 business days. Custom requests and backorders ship in 12 - 16 weeks.

Finishes

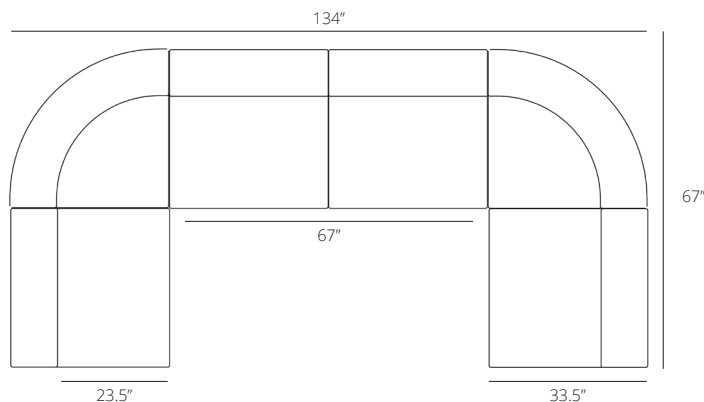
Choose between Harbor, Oatmeal, or Stovepipe upholstery, with Oak base.

Warranty

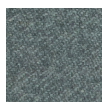
3 years
For detailed information, visit rypen.com.

Certifications

CAL 117, BS 5852 Part 1:1979 | TSCA Title VI Compliant | California 93120 Compliant for Formaldehyde Phase II
Harbor: Martindale >100k | Oatmeal: Martindale: >100k | Stovepipe: Martindale: >100k



UPHOLSTERY



HARBOR



OATMEAL

UPHOLSTERY



STOVEPIPE

BASE



OAK