

---

## Private, Desk

Designed by Space Copenhagen - 2018

---



---

### ITEM NUMBER

39668

### DESCRIPTION

The Private Collection is a dedicated exercise in clean lines, symmetry and tonal restraint – calm and composed, but undeniably generous in its expression. The visual simplicity and careful balance of dimensions and materials enable each piece to feature in any room of the home and to fit seamlessly into a range of different interior styles.

The Private Desk offers flexible functionality, operating as a desk for homeworking during the day and as a console out of hours. This dual aesthetic enables it to fit easily and elegantly into existing interior schemes in a living room, bedroom or kitchen, responding to the emerging needs, reflections and discoveries within the modern home.

---

### Materials & Finishes

#### TABLE TOP FINISH

Brown/Black, Light Oak



**STRUCTURE AND LEG FINISH**

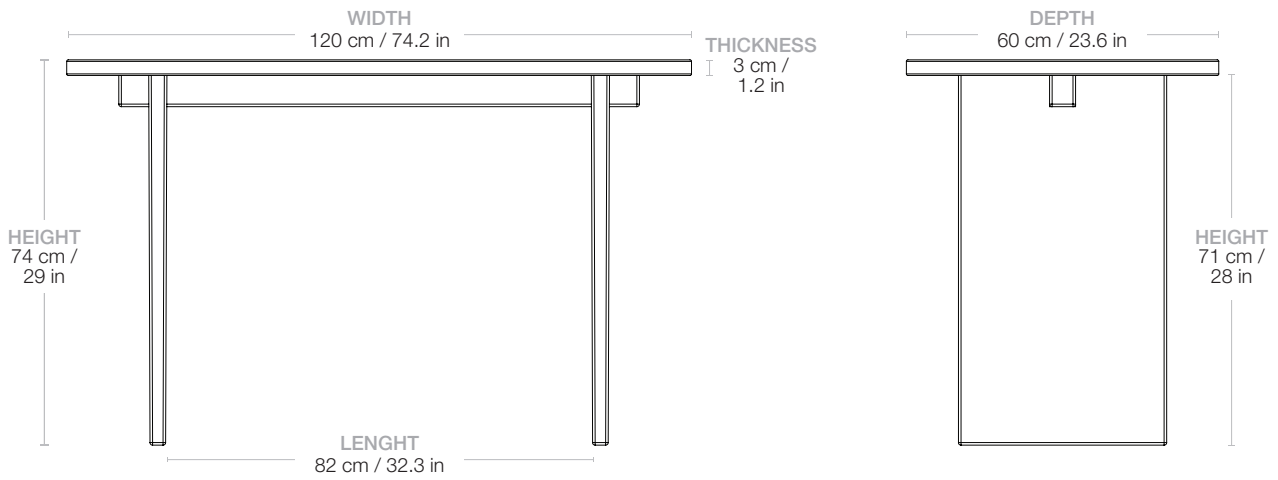
Brown/Black. Light Oak



**MATERIALS**

Oak veneer, MDF

Dimensions



<b>WIDTH</b>	120 cm / 74.2 in
<b>DEPTH</b>	60 cm / 23.6 in
<b>HEIGHT</b>	74 cm / 29 in
<b>SEATING HEIGHT CLEARANCE</b>	71 cm / 28 in
<b>SEATING WIDTH CLEARANCE</b>	82 cm / 32.3 in
<b>TABLE TOP THICKNESS</b>	3 cm / 1.2 in

Weight

<b>TOTAL WEIGHT</b>	37 kg / 81.6 lbs
---------------------	------------------

Packaging

<b>NUMBER OF PARCELS</b>	1
<b>PACKAGING LENGTH</b>	124 cm / 48.8 in

FOR PRODUCT INFORMATION, SWATCHES + ORDERING:  
HELLO@RYPEN.COM | 800.560.0554 | [WWW.RYPEN.COM](http://WWW.RYPEN.COM)



<b>PACKAGING WIDTH</b>	63 cm / 24 in
<b>PACKAGING HEIGHT</b>	17cm / 6.7 in
<b>PACKAGING WEIGHT</b>	2 kg / 4.4 lbs
<b>GROSS WEIGHT</b>	39 kg / 86 lbs

---

## Test & Certifications

<b>TSCA</b>	Yes
<b>FSC® C176589</b>	FSC MIX 70%

---

<b>SUSTAINABILITY</b>	Our products are made to last however parts can be separated and sorted for recycling. 100% of our wood products are manufactured to comply with EUTR.
-----------------------	--------------------------------------------------------------------------------------------------------------------------------------------------------

---

## Glides

<b>FELT GLIDES</b>	Included as standard
--------------------	----------------------

---



# rypen



HELLO@RYPEN.COM



800.560.0554



WWW.RYPEN.COM

rypen  
STUDIO

Build Projects. Request quotes. Get product recommendations. With Rypen Studio—our exclusive project building and ordering platform for professionals—getting exactly what you want is simple.

