

KANO

Design Denis Barbiero

BABEL
D



Lounge chair cod. KANLCB

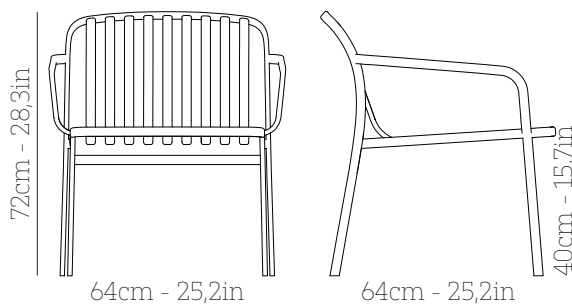


Material: steel

Weight: 8,3 kg

Stackable

Accessories: cushion



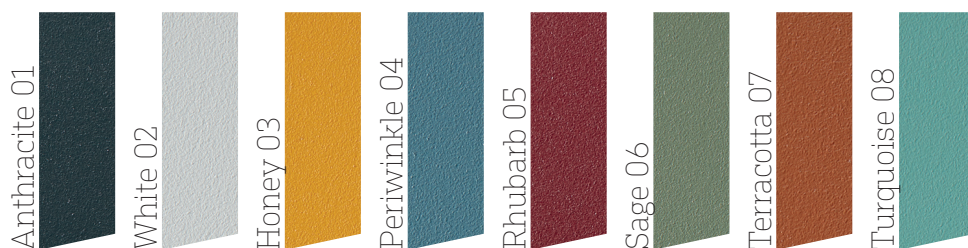
* 2D and 3D files are available at www.babel.it

Galvanising

Application of a zinc layer that provides high corrosion protection.

Powder coating

60-80µm polyester powder coating for outdoor resistance and high protection.



Maintenance

BABEL D products are treated to guarantee a long service life while preserving their functional and aesthetic qualities. BABEL D products will last longer if you take care of them by cleaning them with a soft cloth and water or neutral detergents every three to six months, depending on the

environmental and climatic conditions.

Do not use abrasive detergents and brushes. Be careful using BABEL D products in marine environments with high humidity or near swimming pools, especially in closed environments if chlorine is used as a disinfectant.

KANO

Design Denis Barbiero

BBA
BBA
D



Cushion cod. KANLCCS



KANLCCSA02

Seat cushion that gives the Kano lounge chair incomparable comfort; characterised by sinuous lines that follow the geometry of the seat. It has been designed for outdoor use because it has been specially treated, but it is also perfect for

indoor use. A customised fastening system allows the cushion to be fixed to the seat.

Thanks to the zip, the cover is easily removable and therefore washable. Available in different fabrics and colours to match your lounge chair.



KANLCCSA06



KANLCCSA21



KANLCCSB02



KANLCCSB04

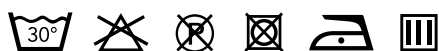
Cushion cod. KANLCCS

100% acrylic fabric

100% acrylic fabric refined and pleasant to the touch while having a certain firmness. It has a natural appearance and can be used indoors and outdoors. Protected by a water-repellent finish with an anti-mould, stain-resistant, sun-resistant treatment and high colour fastness.



Maintenance



100% PAC Dralon fabric

It is incredibly soft to the touch and has a pleasant appearance. It can be used outdoors because it is water repellent. It has high functional qualities. It is protected against UV rays and is durable and resistant to wear. It is stain-resistant, avoids absorption and makes daily cleaning easier.



Maintenance



Maintenance for all fabrics

The fabrics meet the highest quality standards for outdoor use. If it rains, avoid leaving them outside or, if necessary, allow them to dry immediately in order to prevent moisture stains and mould. Avoid prolonged contact

with greasy substances that could create permanent stains and deteriorate the structure. If used near the sea or in swimming pools, periodic washing is recommended. Use water and neutral, colourless liquid detergents.



PROFESSIONALS

rypen
STUDIO

Register for Our Exclusive
Project Builder + Ordering Platform